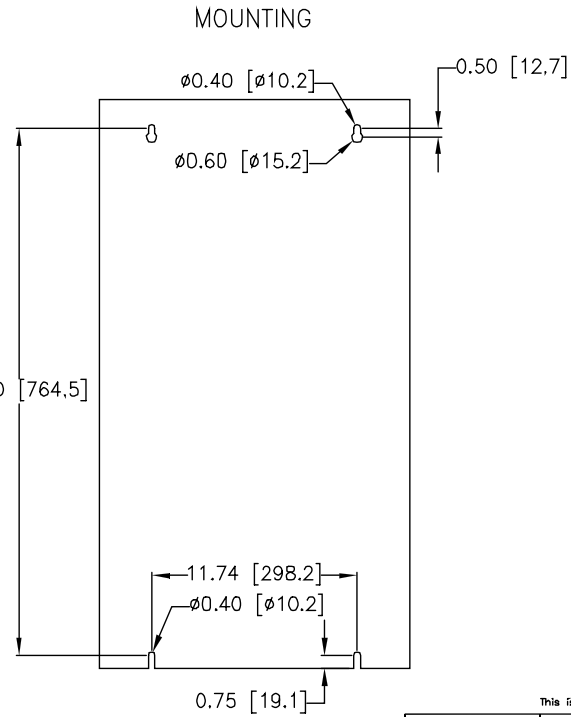
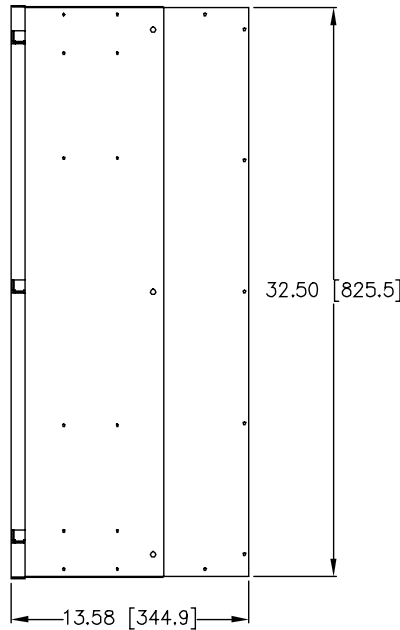
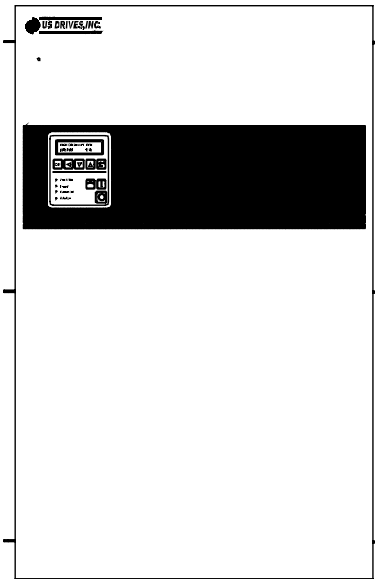
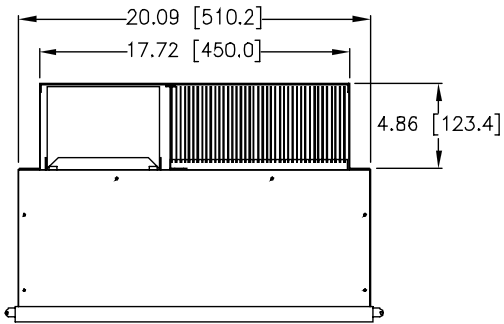


REVISION		
REV.	DESCRIPTION	CHG. BY & DATE



Approximate Weight: 185 Lbs. [84 Kgs]

This is AutoCAD drawing # SIZE 2-N12

	DIMENSIONS IN INCHES. TOL. ± _____ FR _____ S. XXXX _____ ANGLES ± _____ HOLE DIA. ±.003	DR 12/06/06 APPD TITLE SIZE 2 NEMA TYPE 12	DWG 1 OF 1
	<small>           ALL DIMENSIONS ARE UNLESS OTHERWISE SPECIFIED.            ALL DIMENSIONS ARE TO CENTER UNLESS OTHERWISE SPECIFIED.            DIMENSIONS TO FACE UNLESS OTHERWISE SPECIFIED.            DIMENSIONS TO CENTER UNLESS OTHERWISE SPECIFIED.            DIMENSIONS TO FACE UNLESS OTHERWISE SPECIFIED.            DIMENSIONS TO CENTER UNLESS OTHERWISE SPECIFIED.            DIMENSIONS TO FACE UNLESS OTHERWISE SPECIFIED.         </small>		

Notes:

- Top and bottom endplates are removable to gain access inside the drive and to punch holes for conduits.
- End plates must be removed from the drive before drilling and punching holes to avoid metal dust inside the drive enclosure. Failure to do so will cause damage to the drive.