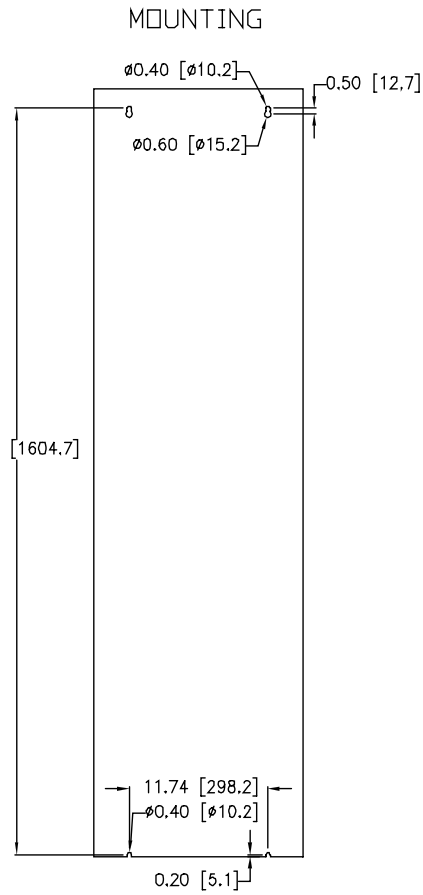
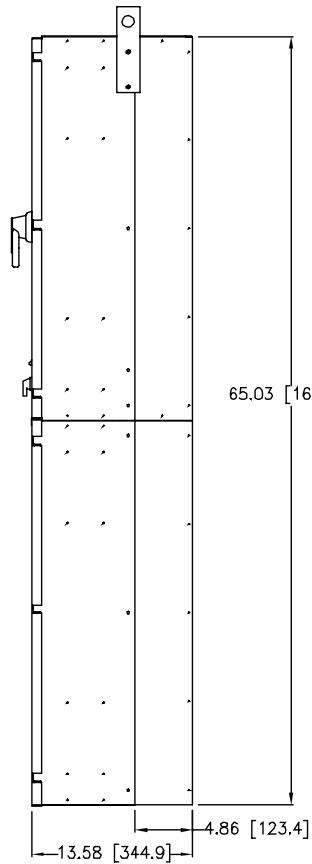
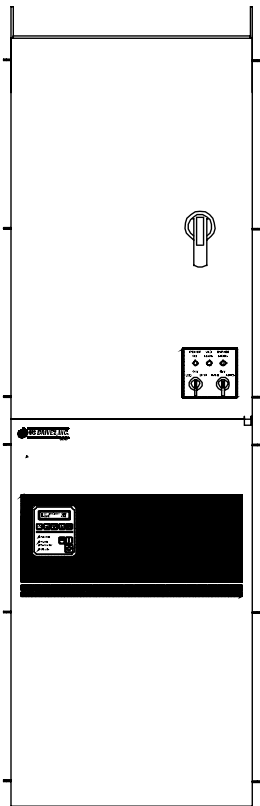
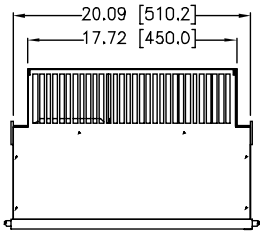


REVISION		
REV.	DESCRIPTION	CHG. BY & DATE



MOUNTING

This is AutoCAD drawing # SIZE 2-N12-BP

	DIMENSIONS IN INCHES	DR	12/11/06	APPD
	TOL. ±	FR	TITLE	SIZE 2 NEMA TYPE 12 WITH BYPASS
<small>US DRIVES, INC. CLAIMS PROPRIETARY RIGHTS IN ALL PATENT RIGHTS AND TRADE SECRETS AND IS NOT TO BE REPRODUCED OR TRANSMITTED IN ANY FORM OR BY ANY MEANS, ELECTRONIC OR MECHANICAL, INCLUDING PHOTOCOPYING, RECORDING, OR BY ANY INFORMATION STORAGE AND RETRIEVAL SYSTEM, WITHOUT PERMISSION FROM US DRIVES, INC.</small>	±.000		ANGLES #	UP TO: 150HP-480VAC, 200HP-575VAC, 75HP-240VAC
	HOLE DIA. ± 0.03			SP1 OF 1

Approximate Weight: 255 Lbs. [116 Kgs]

Notes:

- Top and bottom endplates are removable to gain access inside the drive and to punch holes for conduits.
- End plates must be removed from the drive before drilling and punching holes to avoid metal dust inside the drive enclosure. Failure to do so will cause damage to the drive.