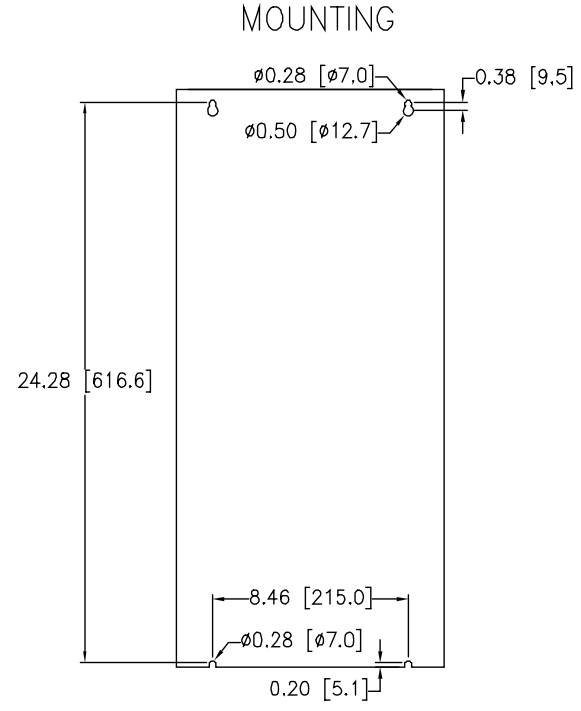
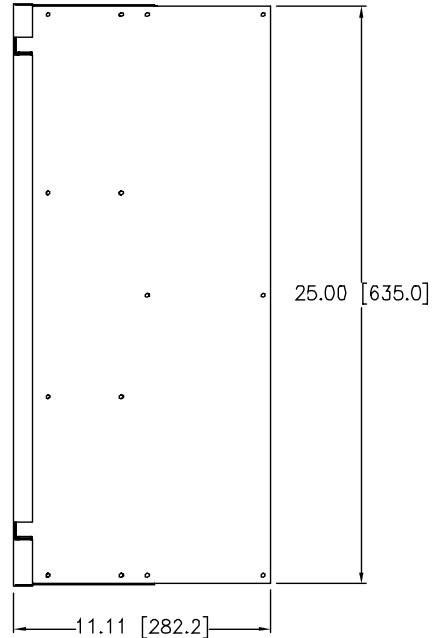
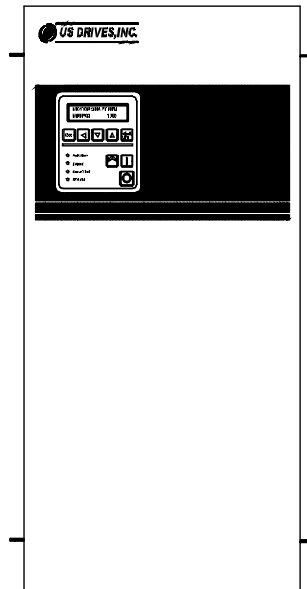
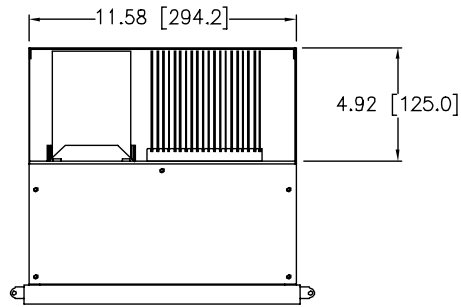


REVISION		
REV.	DESCRIPTION	CHG. BY & DATE



Approximate Weight: 80 Lbs. [36 Kgs]

This is AutoCAD drawing # SIZE1-N12

	DIMENSIONS IN INCHES:	DR	12/11/06	APPD
	TOL. ± / FR	TITLE		
±.00X	SIZE 1 NEMA TYPE 12			REV
ANGLES ±	HOLE DIA. ±.003			1

Notes:

- Top and bottom endplates are removable to gain access inside the drive and to punch holes for conduits.
- End plates must be removed from the drive before drilling and punching holes to avoid metal dust inside the drive enclosure. Failure to do so will cause damage to the drive.
- For through-panel mounting, customer is to seal gap on all sides of cutout. Provided by customer, aluminum angle 1"x1"x0.050" can be used to attach to all sides of the drive to help seal and secure the drive.