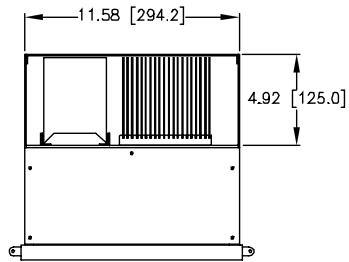
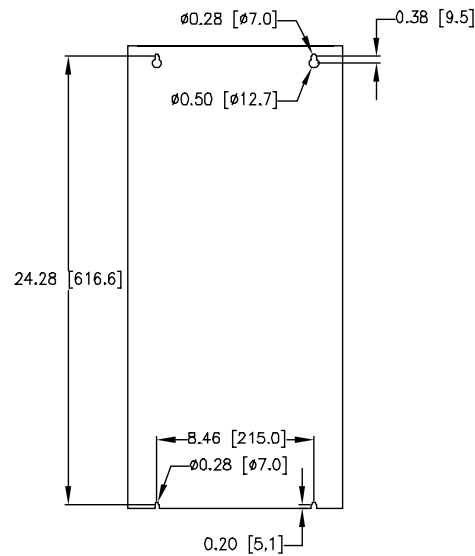
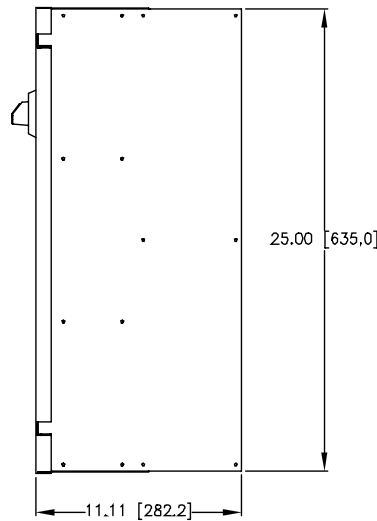
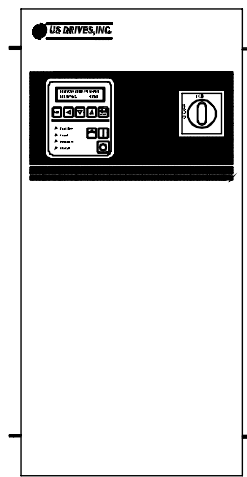


REVISION		
REV.	DESCRIPTION	CHG. BY & DATE



MOUNTING



Approximate Weight: 90 Lbs. [41 Kgs]

This is AutoCAD drawing # SIZE1-N12-DF

	DIMENSIONS IN INCHES:	DR	12/11/06	APPD
	TOL: ±	FR		
	S:XX			
	E:XXX			
ANGLES ±				
HOLE DIA. ±.003				

TITLE: SIZE 1 NEMA TYPE 12 WITH DISCONNECT & FUSES

REV. 1

Notes:

- Top and bottom endplates are removable to gain access inside the drive and to punch holes for conduits.
- End plates must be removed from the drive before drilling and punching holes to avoid metal dust inside the drive enclosure. Failure to do so will cause damage to the drive.