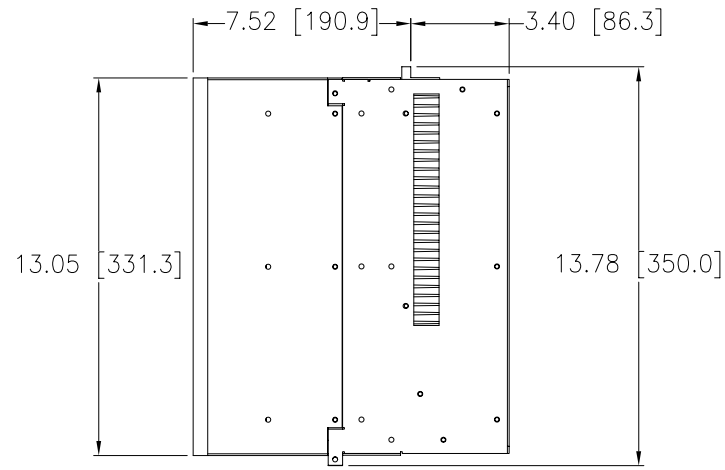
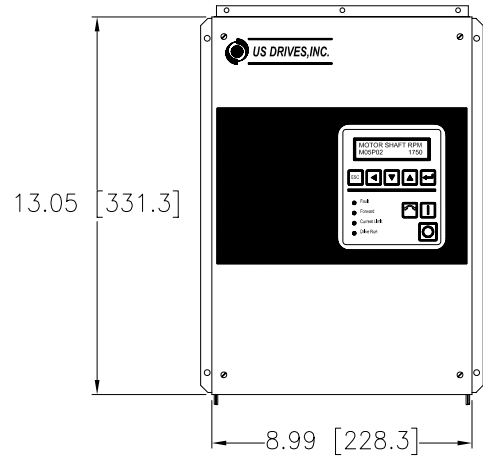
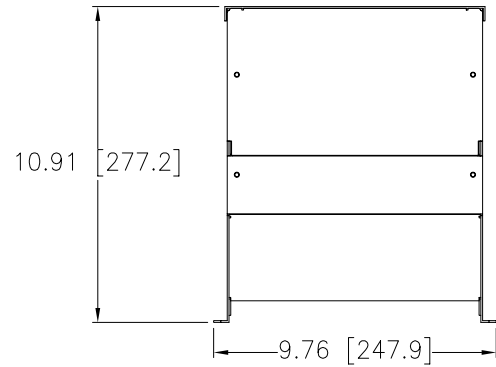


REVISION		
REV.	DESCRIPTION	CHG. BY & DATE



Approximate Weight: 35 Lbs. [16 Kgs]

Top and Bottom endplates are removable to gain access inside the drive and to punch holes for conduits. Endplates end plates must be removed from the drive before drilling and punching holes to avoid metal dust inside the drive enclosure. Failure to do so will cause damage to the drive.

This is AutoCAD drawing # SIZE0-N12

	DIMENSIONS IN INCHES:	DR	APPD
	TOL. ± √ FR	TITLE	SIZE 0 NEMA TYPE 12
<small>US DRIVES, INC. CLAIMS PROPRIETARY RIGHTS IN THE MATERIAL DISCLOSED HEREIN. THIS DOCUMENT MAY NOT BE DISCLOSED TO OTHERS NOR THE INFORMATION HEREIN BE USED WITHOUT WRITTEN PERMISSION FROM US DRIVES, INC.</small>	±.XX		
	±.XXX		
	ANGLES ±		
	HOLE DIA. ±.003		
			SHT 1 OF 1